



PIPE GUIDES



Pipe Guides

By restricting lateral pipe movement while allowing movement along the pipe's axis, DME Incorporated guides ensure positive alignment.

Used in conjunction with pipe loops, bellows joints and slip joints, DME Incorporated guides protect the integrity of the pipe for proper operation.

- All guides are constructed of carbon-steel and coated with shop primer for protection.
- Spider-housing design ensures positive pipe alignment, protecting both pipe and expansion devices.
- Bolted, split-housing construction allows easy assembly.
- Axial movement specified to your needs.
- Orders shipped unassembled for fast field installation.
- Pre-insulated models reduce time and labor on the job.



Pipe Guide Ordering Information

(Pipe guide sizes not listed are available upon request.)

Standard Series

To order, you need to know pipe size, insulation thickness and axial movement. Cross-reference pipe size (left) and insulation thickness (top) to locate part number. The last digit(s) indicates axial movement required. For more information, call **(562) 921-0464** or visit us at www.dmeexpansionjoints.com. (Minimum movement assumed unless specified.)



020-606-4
2" pipe/4" axial movement



020-606-8
2" pipe/8" axial movement



020-606-12
2" pipe/12" axial movement

Pipe Size	Insulation Thickness Allowed For						
	1"	1 1/2"	2"	2 1/2"	3"	3 1/2"	4"
1/2"	004-104-4 -8 -12	004-104-4 -8 -12	004-205-4 -8 -12	004-208-4 -8 -12	004-308-4 -8 -12	004-308-4 -8 -12	004-410-4 -8 -12
3/4"	006-104-4 -8 -12	006-605-4 -8 -12	006-206-4 -8 -12	006-308-4 -8 -12	006-308-4 -8 -12	006-410-4 -8 -12	006-410-4 -8 -12
1"	010-104-4 -8 -12	010-605-4 -8 -12	010-206-4 -8 -12	010-308-4 -8 -12	010-308-4 -8 -12	010-410-4 -8 -12	010-410-4 -8 -12
1 1/4"	012-104-4 -8 -12	012-605-4 -8 -12	012-206-4 -8 -12	012-308-4 -8 -12	012-308-4 -8 -12	012-410-4 -8 -12	012-410-4 -8 -12
1 1/2"	014-105-4 -8 -12	014-105-4 -8 -12	014-206-4 -8 -12	014-308-4 -8 -12	014-308-4 -8 -12	014-410-4 -8 -12	014-410-4 -8 -12
2"	020-105-4 -8 -12	020-606-4 -8 -12	020-208-4 -8 -12	020-208-4 -8 -12	020-310-4 -8 -12	020-310-4 -8 -12	020-412-4 -8 -12
2 1/2"	024-106-4 -8 -12	024-106-4 -8 -12	024-208-4 -8 -12	024-208-4 -8 -12	024-310-4 -8 -12	024-310-4 -8 -12	024-412-4 -8 -12
3"	030-106-4 -8 -12	030-208-4 -8 -12	030-208-4 -8 -12	030-310-4 -8 -12	030-310-4 -8 -12	030-412-4 -8 -12	030-412-4 -8 -12
4"	040-108-4 -8 -12	040-108-4 -8 -12	040-210-4 -8 -12	040-210-4 -8 -12	040-312-4 -8 -12	040-312-4 -8 -12	040-414-6 -8 -12
5"	050-110-4 -8 -12	050-110-4 -8 -12	050-110-4 -8 -12	050-312-4 -8 -12	050-312-4 -8 -12	050-314-6 -8 -12	050-416-6 -8 -12
6"	060-110-4 -8 -12	060-110-4 -8 -12	060-212-4 -8 -12	060-212-4 -8 -12	060-314-6 -8 -12	060-416-6 -8 -12	060-416-6 -8 -12
8"	080-112-4 -8 -12	080-112-4 -8 -12	080-214-6 -8 -12	080-316-6 -8 -12	080-316-6 -8 -12	080-418-6 -8 -12	080-418-6 -8 -12
10"	100-216-6 -8 -12	100-216-6 -8 -12	100-216-6 -8 -12	100-318-6 -8 -12	100-318-6 -8 -12	100-420-6 -8 -12	100-420-6 -8 -12
12"	120-218-6 -8 -12	120-218-6 -8 -12	120-218-6 -8 -12	120-320-6 -8 -12	120-320-6 -8 -12	120-422-8 -12	120-422-8 -12
14"	140-220-6 -8 -12	140-220-6 -8 -12	140-220-6 -8 -12	140-220-6 -8 -12	140-322-8 -12	140-322-8 -12	140-424-8 -12
16"	160-222-8 -12	160-222-8 -12	160-222-8 -12	160-222-8 -12	160-324-8 -12	160-324-8 -12	160-426-8 -12
18"	180-224-8 -12	180-224-8 -12	180-224-8 -12	180-224-8 -12	180-326-8 -12	180-326-8 -12	180-428-8 -12
20"	200-226-8 -12	200-226-8 -12	200-226-8 -12	200-226-8 -12	200-330-8 -12	200-330-8 -12	200-330-8 -12
24"	240-230-8 -12	240-230-8 -12	240-230-8 -12	240-230-8 -12	---	---	---

STANDARD 4" AXIAL MOVEMENT

STANDARD 6" AXIAL MOVEMENT

STANDARD 8" AXIAL MOVEMENT

How to read this chart:

* Example: The correct part number for a 2" pipe with 3" insulation and a required axial movement of 8" is 020-310-8.

* Explanation of part number: XXX-XXX-X
Pipe size Body No. Axial
(BOLD) Movement

* Use the 1" thickness column when no insulation is required.

* Copper tube guides are supplied with dielectric spacers.
To order add -C to the part number: XXX-XXX-X-C

* Exhaust tube size guides are made to order.
To order add -T to the part number: XXX-XXX-X-T



Pre-Insulated Series

To order, you need to know pipe size and insulation thickness. The standard axial movement is 6". Cross-reference pipe size (left) and insulation thickness (top) to locate part number. The last letter indicates that this is an insulated-series pipe guide.

For more information, call **(562) 921-0464** or visit us at www.dmeexpansionjoints.com.



080-114-6I
8" pipe/1" insulation

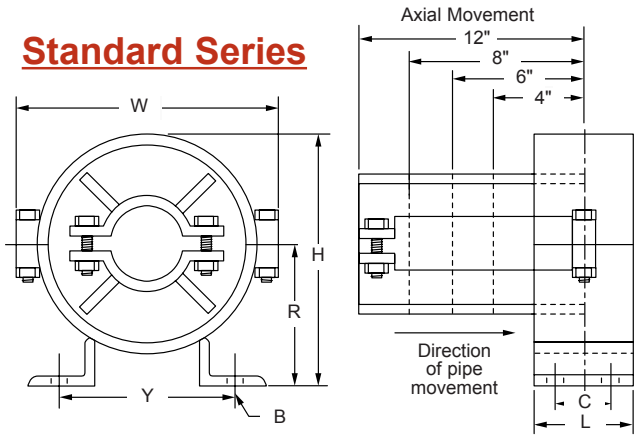
Pipe Size	Pre-Insulation Thickness			
	1"	2"	3"	4"
1/2"	004-106-6I	004-208-6I	004-310-6I	004-412-6I
3/4"	006-106-6I	006-208-6I	006-310-6I	006-412-6I
1"	010-106-6I	010-208-6I	010-310-6I	010-412-6I
1 1/4"	012-108-6I	012-208-6I	012-310-6I	012-412-6I
1 1/2"	014-108-6I	014-208-6I	014-310-6I	014-412-6I
2"	020-108-6I	020-210-6I	020-312-6I	020-412-6I
2 1/2"	024-108-6I	024-210-6I	024-312-6I	024-414-6I
3"	030-110-6I	030-210-6I	030-312-6I	030-414-6I
4"	040-110-6I	040-212-6I	040-314-6I	040-416-6I
5"	050-112-6I	050-212-6I	050-314-6I	050-416-6I
6"	060-112-6I	060-214-6I	060-316-6I	060-418-6I
8"	080-114-6I	080-216-6I	080-318-6I	080-420-6I
10"	100-118-6I	100-218-6I	100-320-6I	100-422-6I
12"	120-120-6I	120-220-6I	120-322-6I	120-424-6I
14"	140-120-6I	140-220-6I	140-324-6I	140-426-6I
16"	160-122-6I	160-224-6I	160-326-6I	160-430-6I
18"	180-124-6I	180-226-6I	180-330-6I	180-430-6I

How to read this chart:

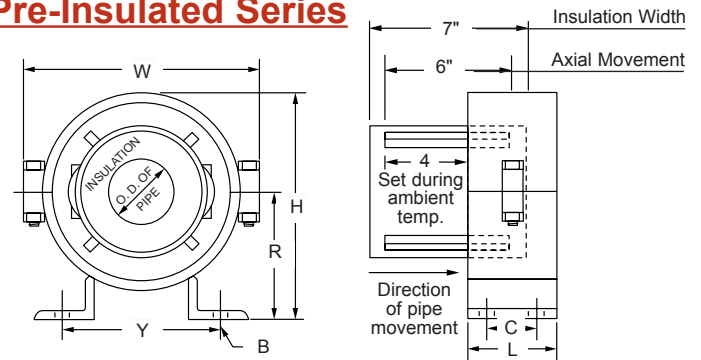
* Example: The correct part number for a 2" pipe with 3" insulation and a required axial movement of 6" or less is 020-312-6I.

* Explanation of part number: XXX- XXX- X I
Pipe size Body No. Axial Insulated
(BOLD) Movement Unit

Standard Series



Pre-Insulated Series



All fractions to nearest 1/8th inch

Body No.	Physical Dimensions							Approx. Weight
	H	R	W	Y	B	C	L	
04	5 7/8" 14.9 cm	3 1/2" 8.9 cm	6 1/8" 15.6 cm	4 1/8" 10.5 cm	5/8" 1.6 cm	1 3/4" 4.4 cm	3" 7.6 cm	7 lbs. 3.2 kg
05	6 3/4" 17.1 cm	4" 10.2 cm	7 1/8" 18.1 cm	4 3/8" 11.1 cm	5/8" 1.6 cm	1 3/4" 4.4 cm	3" 7.6 cm	8 lbs. 3.6 kg
06	7 5/8" 19.4 cm	4 3/8" 11.1 cm	8 1/8" 20.6 cm	5 1/8" 13.0 cm	5/8" 1.6 cm	1 3/4" 4.4 cm	3" 7.6 cm	9 lbs. 4.1 kg
08	9 1/4" 23.5 cm	5 1/4" 13.3 cm	10 1/8" 25.7 cm	6 1/8" 15.6 cm	5/8" 1.6 cm	1 3/4" 4.4 cm	3" 7.6 cm	11 lbs. 5.0 kg
10	11 5/8" 29.5 cm	6 1/4" 15.9 cm	12 1/8" 30.8 cm	7" 17.8 cm	5/8" 1.6 cm	2 3/4" 7.0 cm	4" 10.2 cm	17 lbs. 7.7 kg
12	13 3/8" 34.0 cm	7" 17.8 cm	14 1/8" 35.9 cm	8 1/4" 21.0 cm	5/8" 1.6 cm	2 3/4" 7.0 cm	4" 10.2 cm	20 lbs. 9.1 kg
14	15 1/8" 38.4 cm	7 7/8" 20.0 cm	16 1/8" 41.0 cm	9 7/8" 25.1 cm	3/4" 1.9 cm	4" 10.2 cm	6" 15.2 cm	40 lbs. 18.1 kg
16	17" 43.2 cm	8 7/8" 22.5 cm	18 1/8" 46.0 cm	10 7/8" 27.6 cm	3/4" 1.9 cm	4" 10.2 cm	6" 15.2 cm	48 lbs. 21.8 kg
18	18 3/4" 47.6 cm	9 3/4" 24.8 cm	20 1/8" 51.1 cm	11 7/8" 30.2 cm	3/4" 1.9 cm	4" 10.2 cm	6" 15.2 cm	54 lbs. 24.5 kg
20	21" 53.3 cm	10 7/8" 27.6 cm	22 1/8" 56.2 cm	11 3/4" 29.8 cm	3/4" 1.9 cm	4" 10.2 cm	6" 15.2 cm	61 lbs. 27.7 kg
22	23 1/8" 58.7 cm	12 1/8" 30.8 cm	24 1/8" 61.3 cm	14 1/2" 36.8 cm	7/8" 2.2 cm	6" 15.2 cm	8" 20.3 cm	89 lbs. 40.4 kg
24	25" 63.5 cm	13" 33.0 cm	26 1/8" 66.4 cm	15 1/2" 39.4 cm	7/8" 2.2 cm	6" 15.2 cm	8" 20.3 cm	102 lbs. 46.3 kg
26	27 3/4" 70.5 cm	14 3/4" 37.5 cm	28 1/8" 71.4 cm	17 1/8" 43.5 cm	1 1/8" 2.9 cm	6" 15.2 cm	8" 20.3 cm	110 lbs. 49.9 kg
30	31 1/2" 80.0 cm	16 1/2" 41.9 cm	32 1/8" 81.6 cm	19 1/4" 48.9 cm	1 1/8" 2.9 cm	6" 15.2 cm	8" 20.3 cm	150 lbs. 68.0 kg

Pipe guide data can be determined from the part number by using the above chart. Determine the body number (**bold digits**) from the part number. Locate the body number on the chart. The dimensions and approximate weight are given for that body number. The length of the spider is the same as the axial movement (last digit(s) in the part number).

Special Applications Slides - Guides - Anchors

280 SLIDE SERIES



256 HINGED SERIES



ANCHOR CLAMP



257 SLIDE SERIES



**BASEBOARD
FIN-TUBE GUIDE**



**BASEBOARD
ANCHOR**



DME INCORPORATED

14001 Marquardt Avenue
Santa Fe Springs, CA 90670
Toll Free: 1-888-4DMEINC
Tel: (562) 921-0464 • Fax (562) 802-7489
URL: www.dmeexpansionjoints.com
Email: info@dmeexpansionjoints.com